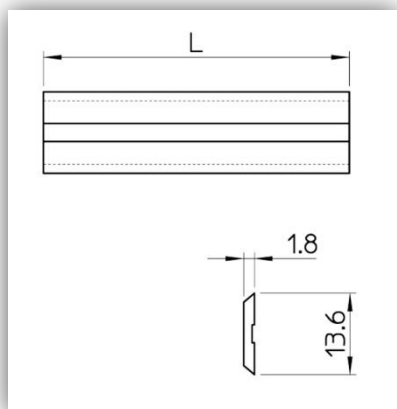


## 06 104 COLTELLI DA DIRITTI IN HSS E HM TIPO GARNIGA HSS AND HM GARNIGA TYPE KNIVES

CUCHILA RECTA EN HSS Y HM TIPO GARNIGA HSS GERADE WENDEPLATTEN UND HM GERADE WENDEPLATTEN GARNIGA TYP

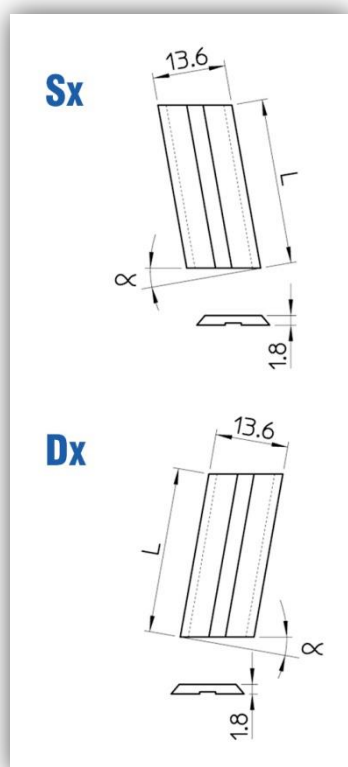


| 06 104 COLTELLI HSS DIRITTI |                |
|-----------------------------|----------------|
| L (mm)                      | Codice         |
| 8                           | 06 104 8810650 |
| 10                          | 06 104 8810651 |
| 15                          | 06 104 8810652 |
| 20                          | 06 104 8810653 |
| 30                          | 06 104 8810654 |
| 35                          | 06 104 8810655 |
| 40                          | 06 104 8810656 |
| 50                          | 06 104 8810657 |
| 60                          | 06 104 8810658 |
| 80                          | 06 104 8810659 |
| 100                         | 06 104 8810660 |
| 120                         | 06 104 8810661 |
| 130                         | 06 104 8810662 |
| 150                         | 06 104 8810663 |
| 180                         | 06 104 8810664 |
| 190                         | 06 104 8810665 |
| 200                         | 06 104 8810666 |
| 220                         | 06 104 8810667 |
| 230                         | 06 104 8810668 |
| 240                         | 06 104 8810669 |
| 250                         | 06 104 8810670 |

| L (mm) | Codice         |
|--------|----------------|
| 7,5    | 06 104 9710662 |
| 8      | 06 104 7710662 |
| 10     | 06 104 7710663 |
| 15     | 06 104 7710664 |
| 20     | 06 104 7710665 |
| 30     | 06 104 7710666 |
| 35     | 06 104 7710667 |
| 40     | 06 104 7710668 |
| 50     | 06 104 7710669 |
| 60     | 06 104 7710670 |
| 80     | 06 104 7710671 |
| 100    | 06 104 7710672 |
| 120    | 06 104 7710673 |
| 130    | 06 104 7710674 |
| 150    | 06 104 7710675 |
| 175    | 06 104 7710688 |
| 180    | 06 104 7710677 |
| 190    | 06 104 7710680 |
| 200    | 06 104 7710678 |
| 220    | 06 104 7710687 |
| 230    | 06 104 7710679 |
| 240    | 06 104 7710686 |
| 250    | 06 104 7710676 |

## 06 104 COLTELLI DA SAGOMARE HSS HSS BLANK KNIVES

CUCHILLA DE MOLDURA EN HSS HSS BLANKETTS MIT QUERNUT ZUM PROFILIEREN



| 06 104 COLTELLI HSS INCLINATI |        |                |                |
|-------------------------------|--------|----------------|----------------|
| $\alpha$ (mm)                 | L (mm) | Codice Sx      | Codice Dx      |
| 2,5                           | 40     | 06 104 8810701 | 06 104 8810700 |
| 2,5                           | 50     | 06 104 8810703 | 06 104 8810702 |
| 2,5                           | 60     | 06 104 8810705 | 06 104 8810704 |
| 5,0                           | 35     | 06 104 8810757 | 06 104 8810756 |
| 5,0                           | 40     | 06 104 8810761 | 06 104 8810760 |
| 10,0                          | 20     | 06 104 8810751 | 06 104 8810750 |
| 10,0                          | 30     | 06 104 8810753 | 06 104 8810752 |
| 18,0                          | 30     | 06 104 8810755 | 06 104 8810754 |
| 18,0                          | 35     | 06 104 8810759 | 06 104 8810758 |

| 06 104 COLTELLI HM INCLINATI |        |                |                |
|------------------------------|--------|----------------|----------------|
| $\alpha$ (mm)                | L (mm) | Codice Sx      | Codice Dx      |
| 2,5                          | 40     | 06 104 8810707 | 06 104 8810706 |
| 2,5                          | 50     | 06 104 8810709 | 06 104 8810708 |
| 2,5                          | 60     | 06 104 8810711 | 06 104 8810710 |
| 5,0                          | 35     | 06 104 8810769 | 06 104 8810768 |
| 5,0                          | 40     | 06 104 8810773 | 06 104 8810772 |
| 10,0                         | 20     | 06 104 8810763 | 06 104 8810762 |
| 10,0                         | 30     | 06 104 8810765 | 06 104 8810764 |
| 18,0                         | 30     | 06 104 8810767 | 06 104 8810766 |
| 18,0                         | 35     | 06 104 8810771 | 06 104 8810770 |